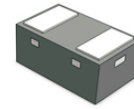


CZRUC52C2-HF Thru. CZRUC52C39-HF

High-Reliability and High-Performance

RoHS Device

Halogen Free

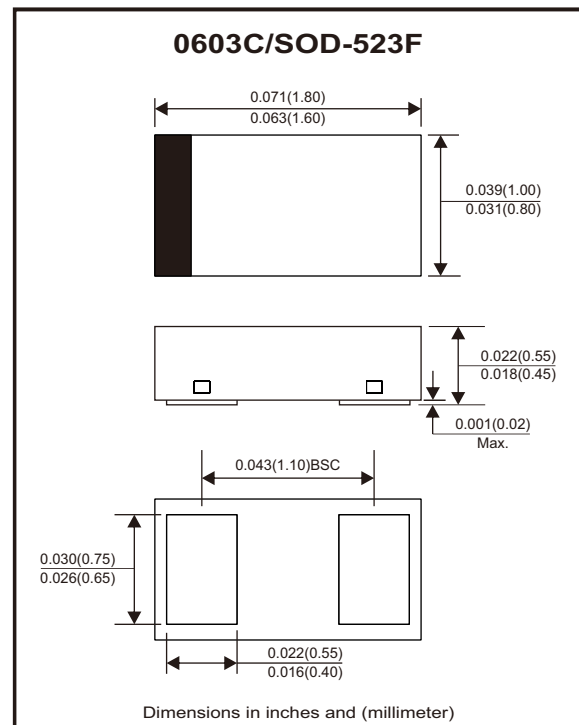


Features

- 150mW power dissipation.
- High voltages from 2V to 39V.
- Designed for mounting on small surface.
- Extremely thin/leadless package.

Mechanical data

- Case: 0603C/SOD-523F package, molded plastic.
- Terminals: Gold plated, solderable per MIL-STD-750, method 2026.
- Polarity: Indicated by cathode band.
- Mounting position: Any.



Circuit Diagram



Maximum Rating (at TA=25°C unless otherwise noted)

Parameter	Symbol	Value	Unit
Maximum forward voltage drop at I _F = 10 mA	V _F	0.9	V
Maximum power dissipation at 25°C	P _D	150	mW
Operating junction temperature range	T _J	-55 to +150	°C
Storage temperature range	T _{STG}	-55 to +150	°C

Electrical Characteristics (at TA=25°C unless otherwise noted)

Part Number	Marking code	Zener Voltage			Operating resistance		Rising operating resistance		Reverse current	
		Vz(V)			Zzt(Ohm)		Zzk(Ohm)		Ir(μA)	
		Min	Max	Iz(mA)	Max	Iz(mA)	Max	Iz(mA)	Max	VR(V)
CZRUC52C2-HF	Z0	1.90	2.10	5	100	5	600	1	100	1
CZRUC52C2V2-HF	Z1	2.09	2.31	5	100	5	600	1	100	1
CZRUC52C2V4-HF	Z2	2.28	2.52	5	85	5	600	1	100	1
CZRUC52C2V7-HF	Z3	2.57	2.84	5	83	5	500	1	75	1
CZRUC52C3-HF	Z4	2.85	3.15	5	95	5	500	1	50	1
CZRUC52C3V3-HF	Z5	3.14	3.47	5	95	5	500	1	25	1
CZRUC52C3V6-HF	Z6	3.42	3.78	5	95	5	500	1	15	1
CZRUC52C3V9-HF	Z7	3.71	4.10	5	95	5	500	1	10	1
CZRUC52C4V3-HF	Z8	4.09	4.52	5	95	5	500	1	5	1
CZRUC52C4V7-HF	Z9	4.47	4.94	5	78	5	500	1	5	2
CZRUC52C5V1-HF	ZA	4.85	5.36	5	60	5	480	1	0.1	0.8
CZRUC52C5V6-HF	ZB	5.32	5.88	5	40	5	400	1	0.1	1
CZRUC52C6V2-HF	ZC	5.89	6.51	5	10	5	200	1	0.1	2
CZRUC52C6V8-HF	ZE	6.46	7.14	5	8	5	150	1	0.1	3
CZRUC52C7V5-HF	ZF	7.13	7.88	5	7	5	50	1	0.1	5
CZRUC52C8V2-HF	ZG	7.79	8.61	5	7	5	50	1	0.1	6
CZRUC52C9V1-HF	ZH	8.65	9.56	5	10	5	50	1	0.1	7
CZRUC52C10-HF	ZJ	9.50	10.50	5	15	5	70	1	0.1	7.5
CZRUC52C11-HF	ZK	10.45	11.55	5	20	5	70	1	0.1	8.5
CZRUC52C12-HF	ZM	11.40	12.60	5	20	5	90	1	0.1	9
CZRUC52C13-HF	ZN	12.35	13.65	5	25	5	110	1	0.1	10
CZRUC52C15-HF	ZP	14.25	15.75	5	30	5	110	1	0.1	11
CZRUC52C16-HF	ZQ	15.20	16.80	5	40	5	170	1	0.1	12
CZRUC52C18-HF	ZR	17.10	18.90	5	50	5	170	1	0.1	14
CZRUC52C20-HF	ZS	19.00	21.00	5	50	5	220	1	0.1	15
CZRUC52C22-HF	ZT	20.90	23.10	5	55	5	220	1	0.1	17
CZRUC52C24-HF	ZU	22.80	25.20	5	80	5	220	1	0.1	18
CZRUC52C27-HF	ZV	25.65	28.35	5	80	5	250	1	0.1	20
CZRUC52C30-HF	ZW	28.50	31.50	5	80	5	250	1	0.1	23
CZRUC52C33-HF	ZX	31.35	34.65	5	80	5	250	1	0.1	25
CZRUC52C36-HF	ZY	34.20	37.80	5	90	5	250	1	0.1	27
CZRUC52C39-HF	ZZ	37.05	40.95	5	90	5	300	1	0.1	29

Typical Rating and Characteristic Curves (CZRUC52C2-HF Thru. CZRUC52C39-HF)

Fig.1 - Temperature Coefficients

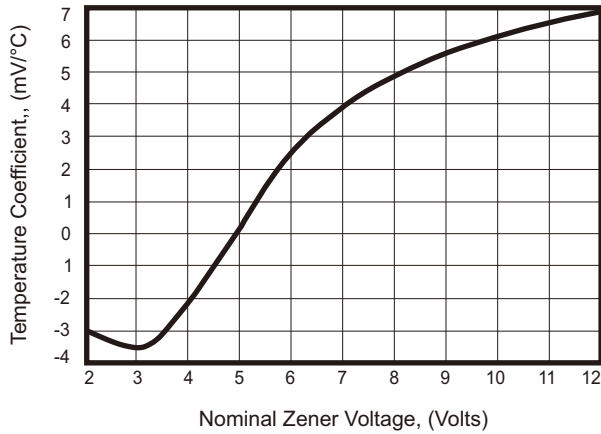


Fig.2 - Temperature Coefficients

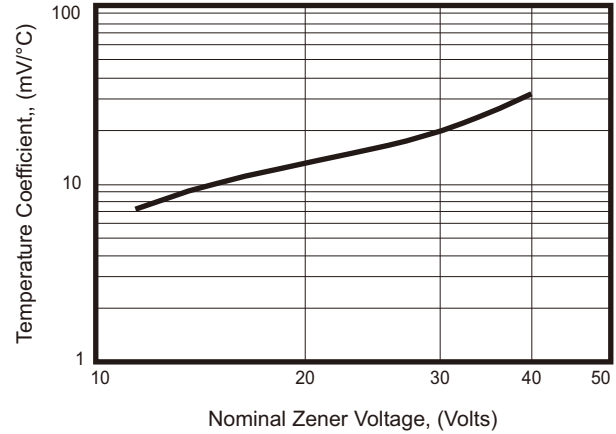


Fig.3 - Effect of Zener Voltage On Zener Impedance

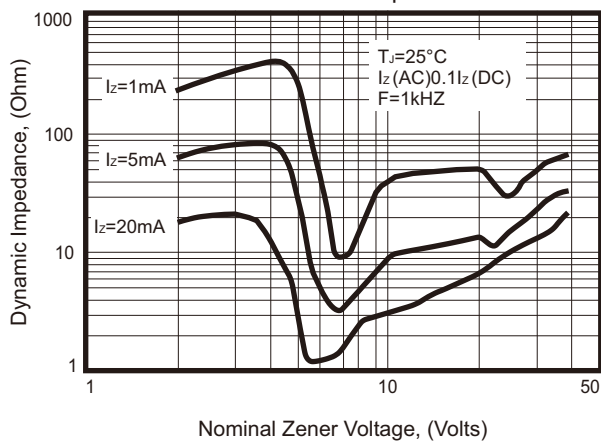


Fig.4 - Typical Forward Voltage

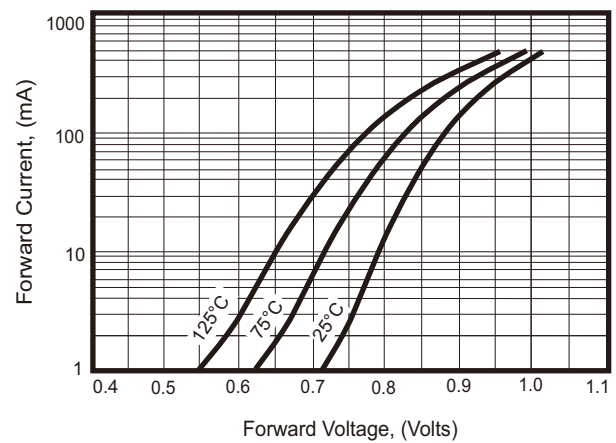


Fig.5 - Typical Leakage Current

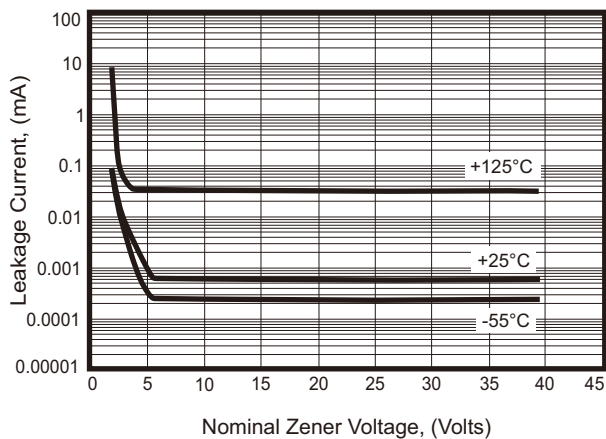
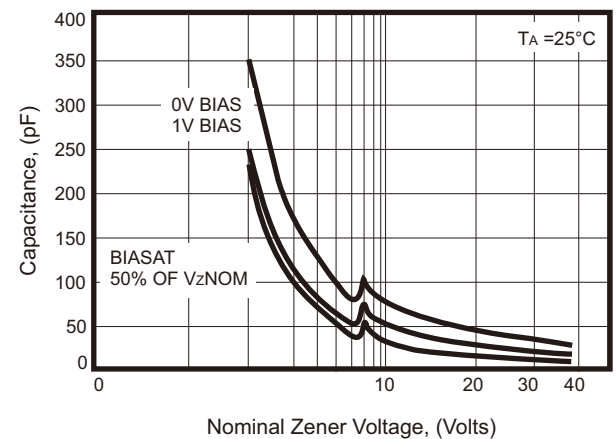


Fig.6 - Typical Capacitance



Typical Rating and Characteristic Curves (CZRUC52C2-HF Thru. CZRUC52C39-HF)

Fig.7 - Zener Voltage Versus Zener Current

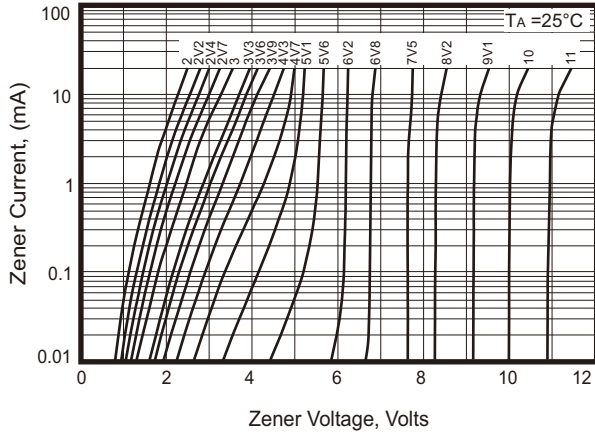


Fig.8 - Zener Voltage Versus Zener Current

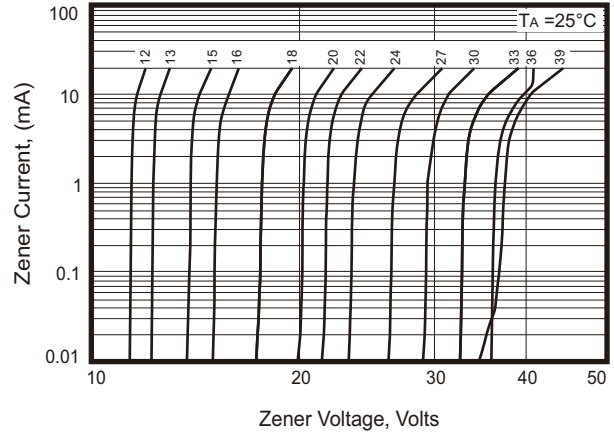
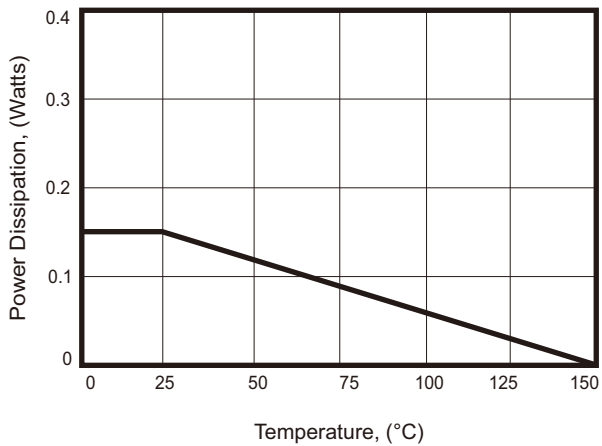
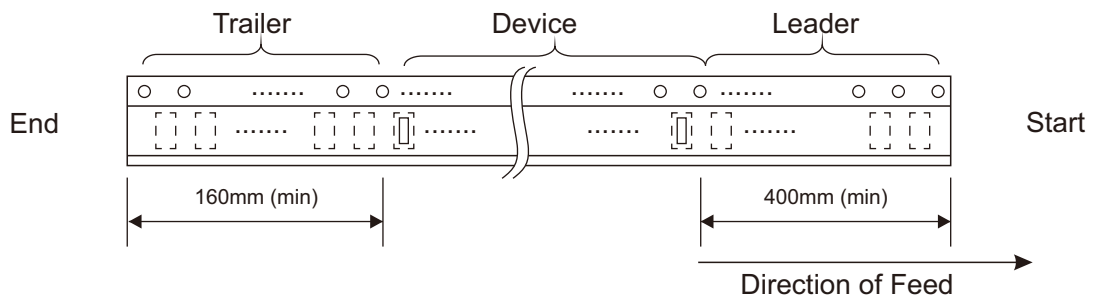
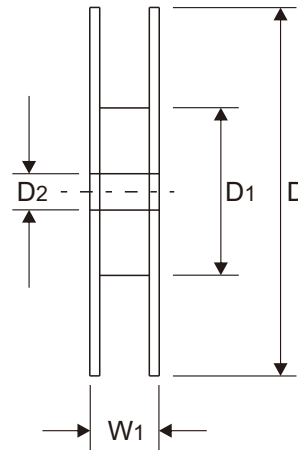
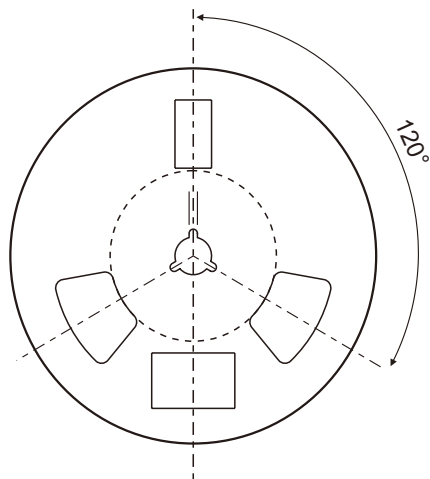
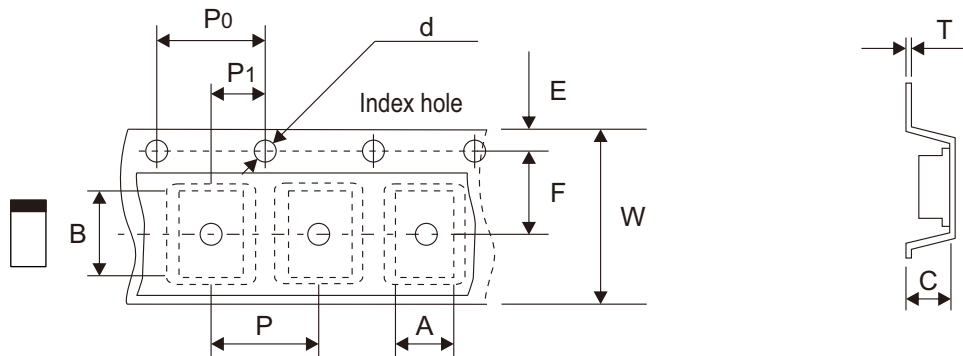


Fig.9 - Steady State Power Derating



Reel Taping Specification



0603C (SOD-523F)	SYMBOL	A	B	C	d	D	D1	D2
	(mm)	1.05 ± 0.05	1.96 ± 0.05	0.57 ± 0.05	1.50 + 0.10 - 0.00	178.00 ± 1.00	60.00 ± 0.50	13.50 ± 0.20
	(inch)	0.041 ± 0.002	0.077 ± 0.002	0.022 ± 0.002	0.059 + 0.004 - 0.000	7.008 ± 0.039	2.362 ± 0.020	0.531 ± 0.008

0603C (SOD-523F)	SYMBOL	E	F	P	P0	P1	T	W	W1
	(mm)	1.75 ± 0.10	3.50 ± 0.05	4.00 ± 0.10	4.00 ± 0.05	2.00 ± 0.05	0.20 ± 0.03	8.00 ± 0.20	12.00 + 0.50 - 0.00
	(inch)	0.069 ± 0.004	0.138 ± 0.002	0.157 ± 0.004	0.157 ± 0.002	0.079 ± 0.002	0.008 ± 0.001	0.315 ± 0.008	0.472 + 0.020 - 0.000

Marking Code

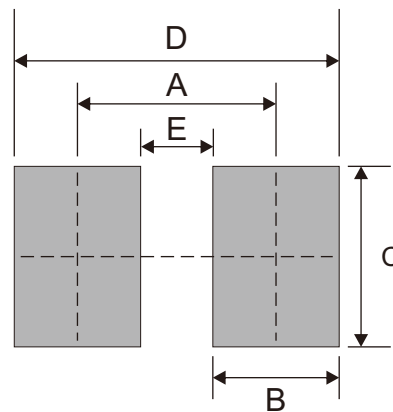
Part Number	Marking Code
CZRUC52C2-HF Thru. CZRUC52C39-HF	See Page 2



xx = Product type marking code

Suggested P.C.B. PAD Layout

SIZE	0603C/SOD-523F	
	(mm)	(inch)
A	1.10	0.043
B	0.70	0.028
C	1.00	0.039
D	1.80	0.071
E	0.40	0.016



Standard Packaging

Case Type	REEL PACK	
	REEL (pcs)	Reel Size (inch)
0603C/SOD-523F	4,000	7